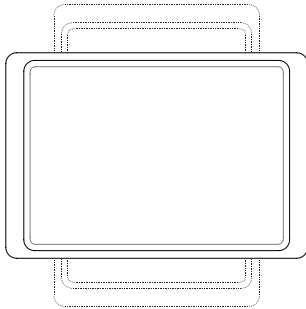


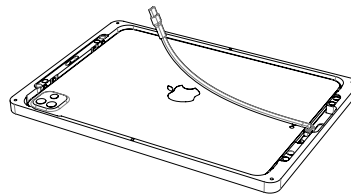


Companion Wall 2.0. is a refined and slim iPad wall mount. It is made of precisely machined aluminum with black, white or anthracite powder coated surface. The iPad wall mount is fixed with magnets and comes with a complementary charging cable.

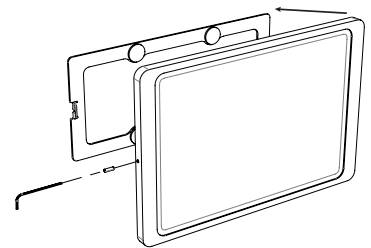
Product characteristics



vertically
or horizontally
mounted on a wall

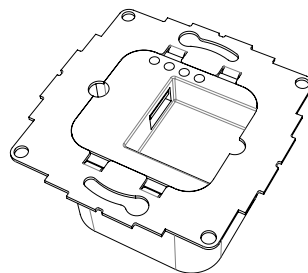


cable hidden
in the mount



magnetic
casing lock
& security screw

Accessories



USB socket
or PoE adapter



black powder
coated - RAL 9005

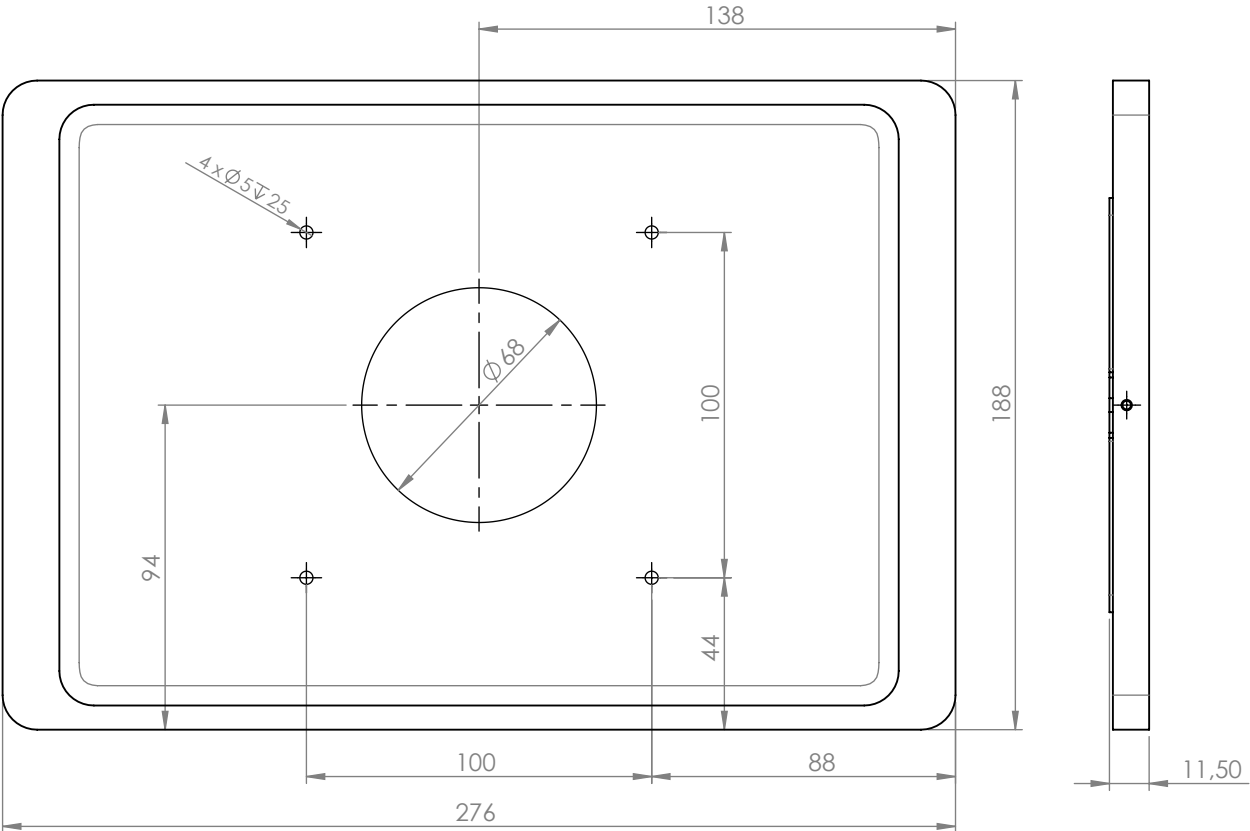


white powder
coated - RAL 9016



anthracite powder
coated - RAL 7016

Companion Wall 2.0 for iPad 10.9" / 11"



DSP number	EAN	Product	Compatible devices	Weight <i>in kg</i>
DSP-1-11-1100-00-C	4260600745343	Companion Wall 2.0 for iPad 10.9" / 11" USB-C White Powder Coated	iPad 10.9" (10th gen.) iPad Air 4 10.9" iPad Air 5 10.9" iPad Pro 11" (1st gen.) iPad Pro 11" (2nd gen.) iPad Pro 11" (3rd gen.) iPad Pro 11" (4th gen.)	0.363
DSP-1-11-1100-02-C	4260600745350	Companion Wall 2.0 for iPad 10.9" / 11" USB-C Black Powder Coated	iPad 10.9" (10th gen.) iPad Air 4 10.9" iPad Air 5 10.9" iPad Pro 11" (1st gen.) iPad Pro 11" (2nd gen.) iPad Pro 11" (3rd gen.) iPad Pro 11" (4th gen.)	0.363
DSP-1-11-1100-06-C	4260600745749	Companion Wall 2.0 for iPad 10.9" / 11" USB-C Anthracite Grey (RAL 7016) Powder Coated	iPad 10.9" (10th gen.) iPad Air 4 10.9" iPad Air 5 10.9" iPad Pro 11" (1st gen.) iPad Pro 11" (2nd gen.) iPad Pro 11" (3rd gen.) iPad Pro 11" (4th gen.)	0.363
DSP-99-RU2	4260600745442	Rotation Unit 2.0	All Companion Wall 2.0 and Dame Wall 2.0 for ipad 10,9 / 11,0 wall mounts	0.6
DSP-99-USB	4260600743059	USB electric concealed socket 12 W 2.4 A	All Displine tablet wall mounts	0.17
DSP-99-GL	4260600743271	Backplate for glass wall	Companion Wall, Companion Wall 2.0, Dame Wall, Dame Wall 2.0 - available at request	on demand

Displine GmbH
Mainzer Straße 97
65189 Wiesbaden

Contact
Piotr Stanczyk
tel.: +49 151 27 23 71 52
e-mail: info@displine.com